



PowerPusher[®]
If It Rolls...We Can Move It.[™]

PowerPusher Dumpster Mover[™] **Battery-Powered Material Handling Equipment**

The **PowerPusher Dumpster Mover**[™] enables a single person to maneuver 500 - 6,000 pounds fast and effortlessly with total control. The battery-powered tug improves operator safety and productivity replacing more costly solutions. It is a safe, clean solution for bulk material handling allowing transport of virtually anything that rolls with a wide range of attachments available.



FEATURES & BENEFITS

- Battery powered motor delivers clean, silent, heavy-duty 6,000 pound moving capacity
- Sealed transaxle design delivers stable operation over uneven surfaces
- Patented Auto-Latch system provides a positive lock while easily connecting and disconnecting without the need to insert a pin
- Lock-out hub enables the machine to be free wheeled to get you where you need to go as fast as you can run
- Maintenance free batteries and heavy-duty 5th wheel ball bearing turn-table provides years of reliability
- On board opportunity charger ensures the Dumpster Mover is ready to go all the time
- **Super PowerPusher Dumpster Mover**[™] - comparable size with all the same great features plus solid rubber forklift tires in a 20,000 lb. capacity machine
- **Dumpster Mover Lite**[™] - for dumpsters under 1,000 lbs.



Operates in all conditions



Electric motor is perfect for indoor and outdoor use

NU-STAR, Inc.

powerpusher.com / 800.800.9274



PowerPusher[®]
If It Rolls...We Can Move It.[™]

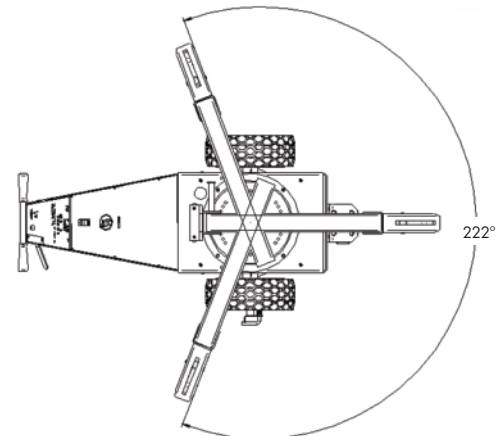
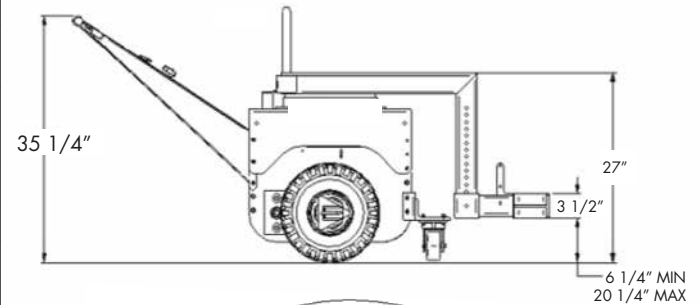
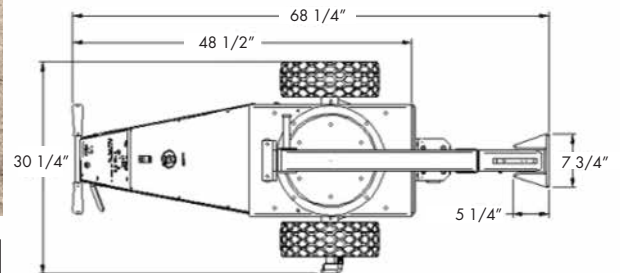
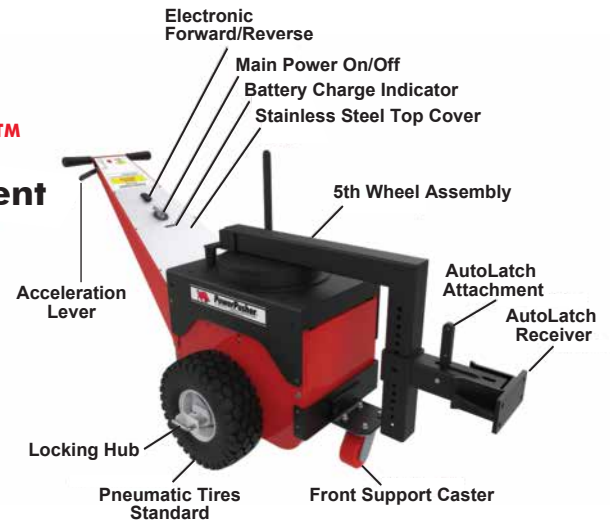


PowerPusher®

If It Rolls... We Can Move It.™

PowerPusher Dumpster Mover™

Battery-Powered Material Handling Equipment



Tight turning radius

MACHINE SPECIFICATIONS	
Push/Pull Capacity:	Up to 6,000 lbs. <i>(Subject to rolling resistance of load)</i>
Super PowerPusher Dumpster Mover™	20,000 lb. capacity
Dumpster Mover Lite™	For dumpsters under 1,000 lbs.
Motor Type:	24 Volt D.C. 400 watt
Gearbox:	Single speed reduction gearbox with differential
Drive Mechanism:	2 x chain and sproket
Controller:	Fully programmable with diagnostic facility
Batteries:	Group 27 Deep Cycle Marine batteries
Battery Charger:	On-Board, 3 stage, 2 x 10-amp circuits

OPTIONS

- Motion alert beeper
- Motion strobe light
- Foam filled, solid rubber and non-marking tires
- Fold up handles for smaller footprint
- Drop down caster for all swivel caster bins
- Strap on receiver for bins that cannot have anything mounted to them
- Key switch



1425 Stagecoach Road, Shakopee, MN 55379
Phone: 952.445.8295

powerpusher.com / 800.800.9274



PowerPusher®
If It Rolls... We Can Move It.™