

Power Pusher

Battery-Powered
Material Handling



Nu-Star's signature **Power Pusher**[®] improves operator safety, reduces manpower and increases plant floor productivity with less downtime by transporting heavy loads fast and without excess exertion or muscle strain. Enabling a single person to maneuver from 500 up to 50,000 pounds with total control, the electrically powered, compact tug replaces large, expensive material handling equipment, such as forklifts and tractors. With a wide range of standard or custom attachments available, the tugs are a scalable, flexible solution built to meet specific load requirements.



Power Pusher

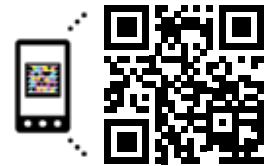
FEATURES AND BENEFITS

- Transaxle design delivers stable operation over uneven surfaces
- 24-volt DC, 400-watt motor delivers heavy-duty 50,000 pound push/pull capacity
- Fully programmable control system with diagnostic features to adjust speed and acceleration/deceleration based on load and environment
- Ergonomic handles with hand guards increase operator comfort and safety
- Electrically powered with on-board charger for long-lasting, efficient operation
- Fingertip controls and compact sizing for easy maneuverability and operation



ACCESSORIES

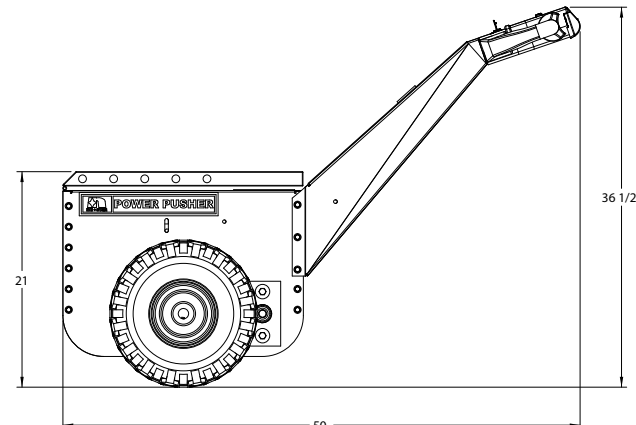
- Safety pack with strobe and motion beeper for high visibility on factory floors
- Wide range of standard and custom attachments – see website for available attachments
- Optional foam-filled or non-marking rubber tires for heavy-duty applications
- Ergonomic handles with hand guards increase operator comfort and safety



Scan using your mobile app

SPECIFICATIONS

- **Motor type:** 24 Volt D.C. either 200W (4,000 lbs. capacity), or 400W (50,000 lbs. capacity).
- **Gearbox:** Single speed reduction gearbox, with differential
- **Drive Mechanism:** 2 x chain & sprocket
- **Controller:** Fully programmable, with diagnostic capability
- **Batteries:** Group 27 deep cycle marine batteries
- **Battery Charger:** On-Board, 3 stage, 2 x 10 Amp circuits
- **Push/Pull Capacity:** Up to 50,000 lbs. (subject to rolling resistance of load)



1425 Stagecoach Road, Shakopee, MN 55379
Phone: 800.800.9274 or 952.445.8295
Fax: 952.445.0231

powerpusher.com



PowerPusher®
If It Rolls...We Can Move It.™